

NIAGADS Data Sharing Service (DSS) is Live!



NIAGADS is pleased to announce that the new Data Sharing Service (DSS) is now live. The DSS will make large scale genomic data available to the Alzheimer's Disease and Related Dementia (ADRD) research community. The service facilitates the deposition and sharing of genomic

data from ADSP and other NIA funded AD genomic studies with approved users in the community. The first release of the data contains whole genome data sequenced by the ADSP from 854 subjects in 159 families and an additional 1433 cases and 1654 controls, as well as 809 whole genomes from ADNI-WGS-1. All of the data has been harmonized by the [Genome Center for Alzheimer's Disease \(GCAD\)](#). There will be additional studies released later this year.

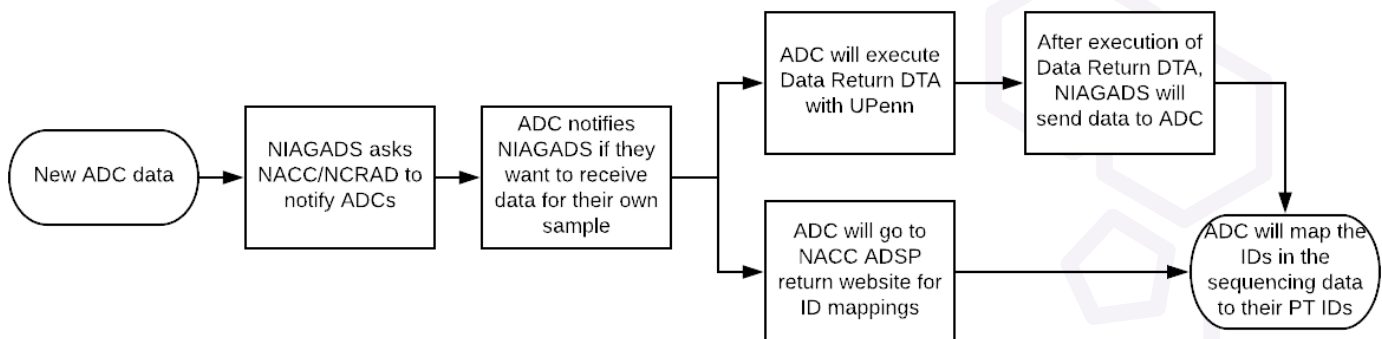
How to Apply

Principal investigators at qualified institutions can submit an application for data on the DSS website at <https://dss.niagads.org/>. Investigators must have an eRA commons ID in order to log into the DSS. Investigators must also have a current username and approved application with [Laboratory of Neuroimaging \(LONI\)](#).

Returning Data to Alzheimer's Disease Centers

Alzheimer's Disease Centers can obtain the ADSP sequenced data for their own subjects by contacting NIAGADS (niagads@pennteam.upenn.edu) and completing a Data Transfer Agreement with the University of Pennsylvania. The process for requesting these data can be found in the flow diagram below. A total of 4,410 ADC samples have been sequenced under ADSP efforts. Available data types for request are CRAMs, GATK called gVCFs, as well as GATK joint-genotype called project level VCFs (pVCFs) that have undergone basic sequencing quality control checks.

Process for Obtaining Sequencing Data



Please note that the terms of the Data Transfer Agreement for ADCs is still being reviewed by the University of Pennsylvania's Office of Research Services. We will notify the centers once this has been completed.